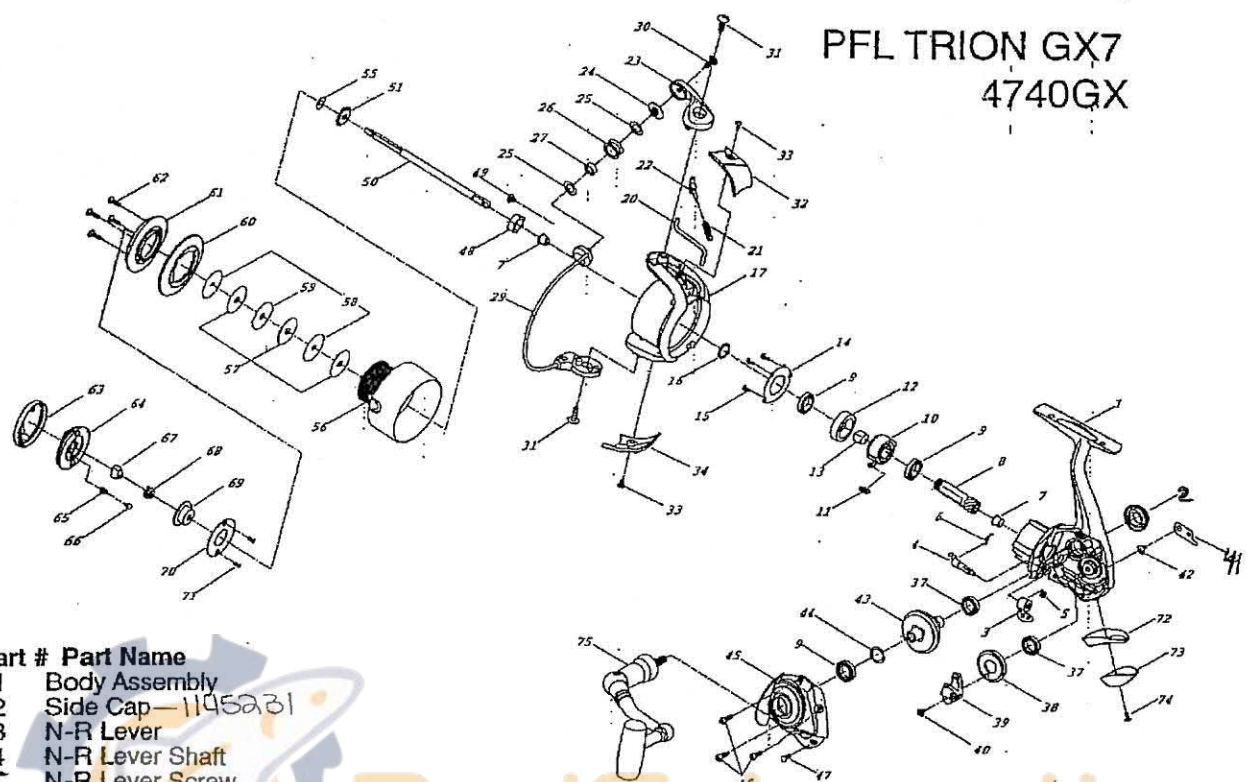


TRION GX7-4740GXFA

PFL TRION GX7
4740GX



- | Part # | Part Name |
|--------|-----------------------------|
| 1 | Body Assembly |
| 2 | Side Cap-1145231 |
| 3 | N-R Lever |
| 4 | N-R Lever Shaft |
| 5 | N-R Lever Screw |
| 6 | N-R Lever Spring-1146737 |
| 7 | Pinion Bearing |
| 8 | Pinion |
| 9 | Ball Bearing-1145073 |
| 10 | One-Way Clutch-1145113 |
| 11 | Clutch Spring-1146736 |
| 12 | Bearing Sleeve |
| 13 | Clutch Sleeve |
| 14 | Bearing Cover |
| 15 | Screw |
| 16 | Clutch Washer |
| 17 | Rotor |
| 20 | Trip Plunger |
| 21 | Bail Arm Spring-1146726 |
| 22 | Bail Arm Guide-1145733 |
| 23 | Bail Arm-1145169 |
| 24 | Line Roller Spacer-1145536 |
| 25 | Line Roller Washer-1146857 |
| 26 | Line Roller-1146120 |
| 27 | Line Roller Bearing-1145085 |
| 29 | Bail Wire Assembly-1144945 |
| 30 | L-Roller Screw |
| 31 | Bail Arm Screw |
| 32 | Bail Arm Cover |
| 33 | Bail Arm Cover Screw |
| 34 | Bail Holder Cover |
| 37 | O/S Gear Bearing-1145076 |
| 38 | O/S Gear-1145657 |
| 39 | O/S Slider |
| 40 | O/S Slider Screw |
| 41 | O/S Slider Plate |
| 42 | O/S Slider Plate Screw |
| 43 | Drive Gear-1145625 |
| 44 | Gear Washer-1146817 |

- | Part # | Part Name |
|--------|-----------------------------|
| 45 | Body Cover Assembly |
| 46 | Cover Screw (A)-1146175 |
| 47 | Cover Screw (B)-1146221 |
| 48 | Rotor Nut-1145780 |
| 49 | Rotor Nut Screw |
| 50 | Main Shaft |
| 51 | Click Gear-1146029 |
| 55 | Sheet Washer-1146805 |
| 56 | Spool Assembly-1146509 |
| 57 | Drag Washer-1146853 |
| 58 | D Washer |
| 59 | Tab Washer |
| 60 | Spool Lip |
| 61 | Spool Ring |
| 62 | Spool Lip Screw |
| 63 | Drag Knob Ring |
| 64 | Drag Knob-1145863 |
| 65 | Drag Click Spring |
| 66 | Drag Click Pin |
| 67 | Drag Nut |
| 68 | Drag Spring |
| 69 | Drag Knob Cover |
| 70 | Drag Knob Washer |
| 71 | Drag Knob Screw |
| 72 | Rear Ring |
| 73 | Rear Cover |
| 74 | Rear Cover Screw-1146217 |
| 75 | Handle Arm Assembly-1145418 |

ReelSchematic